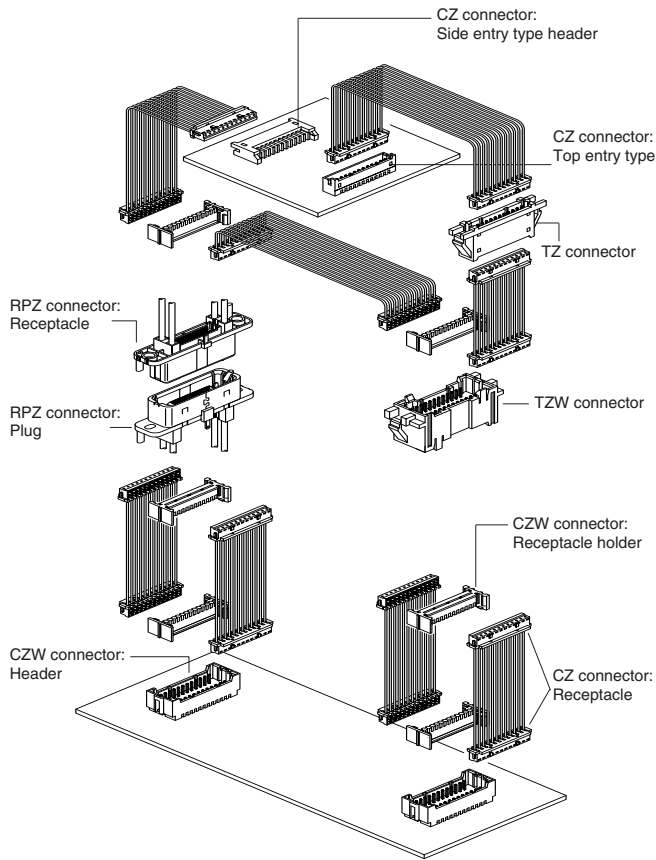


# CZ FAMILY SERIES/CZ·CZW·CZH·CZHW·TZ·TZW

## 1.5mm pitch/Disconnectable Insulation displacement connectors



※ CZ connector used for the harness shown in the above-mentioned figure can be replaced to CZH connector.

**Based upon the 1.5mm pitch CZ connectors, the CZ family connectors have been expanded to meet the requirements of high density packaging. The CZW connector holder allows dual-row wire-to-board connection using the CZ receptacles, while the TZ (single-row) or TZW (dual-row) allows wire-to-wire connection, also using the CZ receptacles.**

### CZ connector

- Distortion resistant construction
- Compact and low profile

### CZW connector

- Low insertion force
- Locking construction

### CZH connector

- Housing lance
- Intchangeability

### TZ/TZW connector

- The TZ connector is applicable to single-row connection, while the TZW connector is for dual-row connection.
- Applicable to wide range of panel thickness
- The design of the panel lock part does not allow the wires to be caught there before mounting on the panel.

### Standards

- UL Recognized E60389
- CS Certified LR20812

### Specifications

| Item                          | Series | CZ·CZW connector   | CZH·CZHW connector | TZ·TZW connector   |
|-------------------------------|--------|--|--------------------|--|
| Current rating                |        | 2A   | AC, DC (AWG #26)   |  |
| Voltage rating                |        |  | 100V AC, DC        |  |
| Temperature rise              |        | -25°C to +85°C (including temperature rise)  |                    |  |
| Contact resistance            |        | Initial value / 10m Ω max.<br>After environmental testing / 20m Ω max.   |                    | Initial value / 20m Ω max.<br>After environmental testing / 40m Ω max. |
| Insulation resistance         |        | 500M Ω min   |                    |  |
| Withstanding voltage          |        | 500VAC/minute  |                    |  |
| Applicable wire               |        | UL10272 (Contact JST for other UL style wires.)<br>AWG#28, #26<br>Conductor / 7-strands, tinned annealed copper<br>Insulation O.D. / 0.7 to 0.83mm | AWG#28 to #26      | —  |
| Applicable PC board thickness |        | 1.6mm  |                    | —  |
| Applicable panel thickness    |        | —  |                    | 0.5 to 2mm   |

\* Compliant with RoHS.

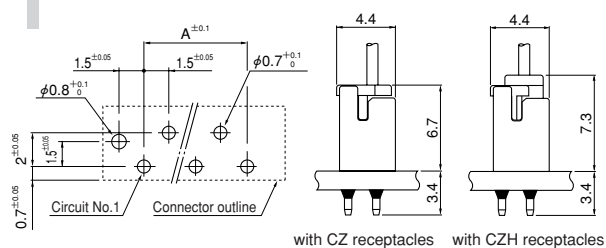
\* Refer to "General Instruction and Notice when using Terminals and Connectors" at the end of this catalog.

\* Contact JST for details.

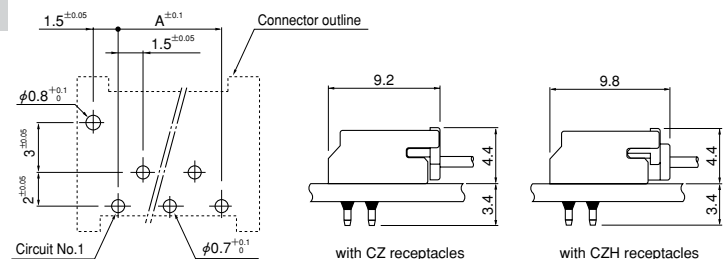
### PC board layout (viewed from component side) and Assembly layout

#### <CZ connector through-hole type>

##### Top entry type



##### Side entry type



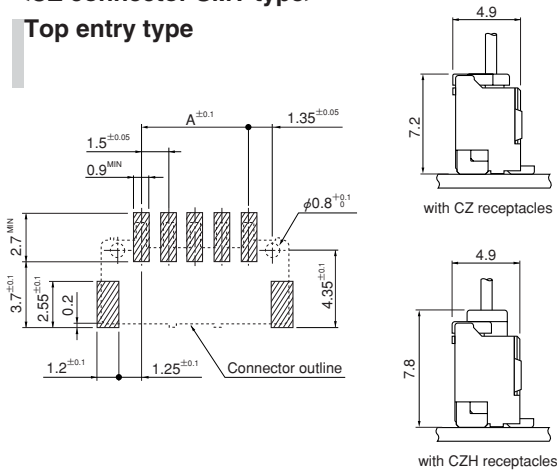
Note: 1. Tolerances are non-cumulative: ±0.05mm for all centers.

2. Hole dimensions differ according to the kind of PC board and piercing method. The dimensions above should serve as a guideline. Contact JST for details.

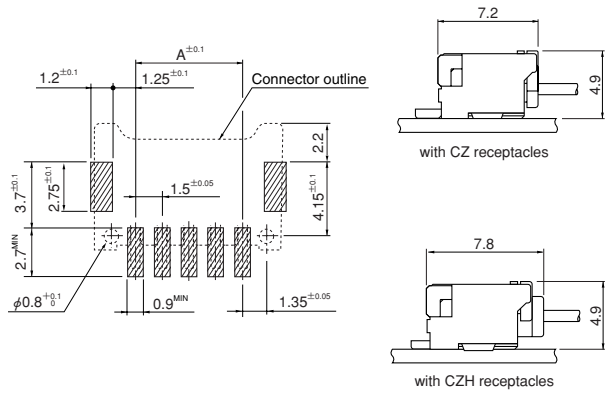
# CZ FAMILY SERIES / CZ · CZW · CZH · CZHW · TZ · TZW

## <CZ connector SMT type>

### Top entry type

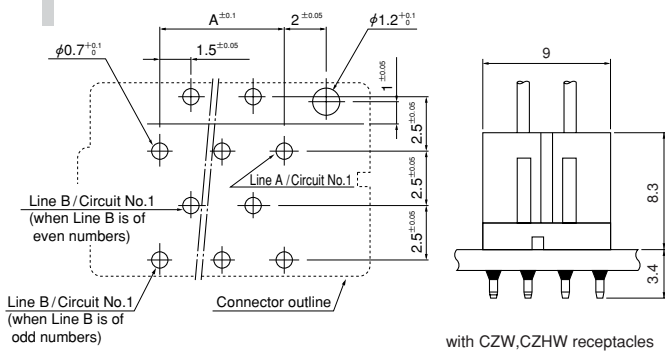


### Side entry type

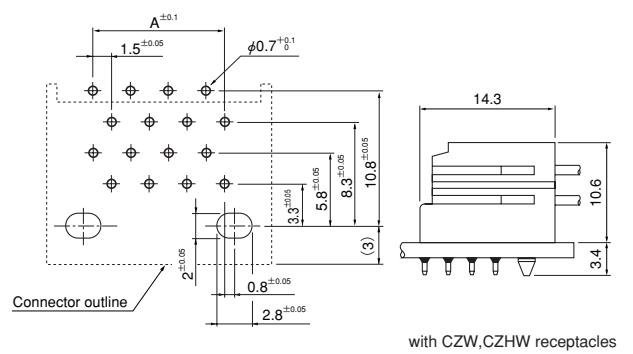


## <CZW connector through-hole type>

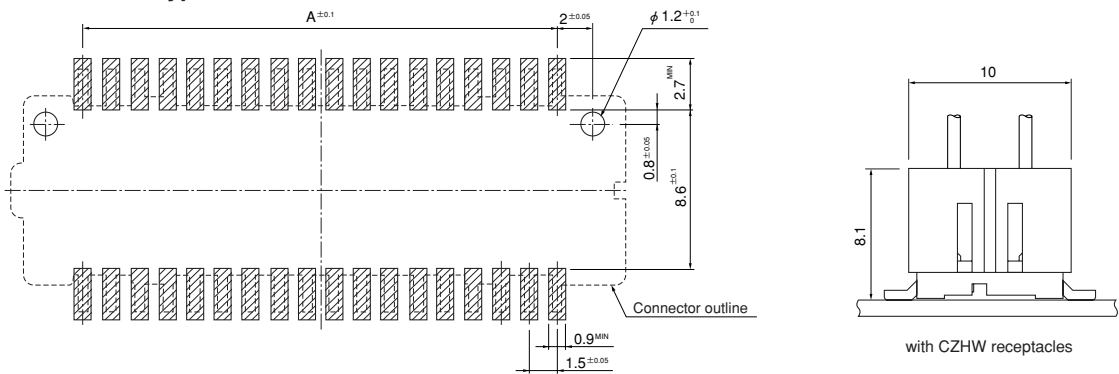
### Top entry type



### Side entry type



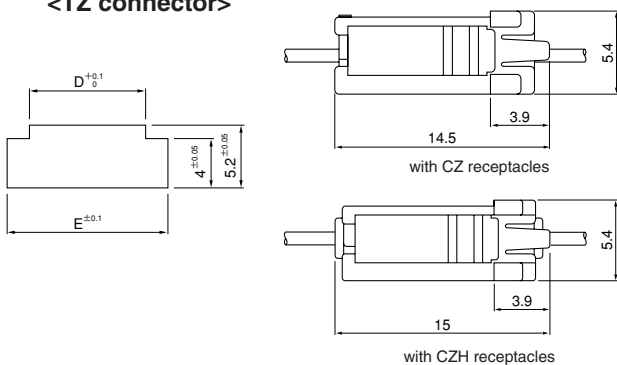
## <CZW connector SMT type>



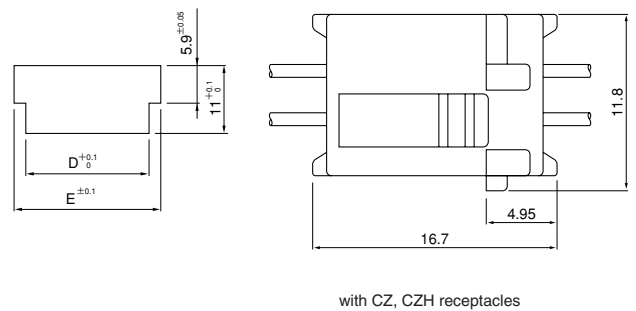
Note: 1. Tolerances are non-cumulative:  $\pm 0.05\text{mm}$  for all centers.

2. Hole dimensions differ according to the kind of PC board and piercing method. The dimensions above should serve as a guideline. Contact JST for details.

## <TZ connector>



## <TZW connector>

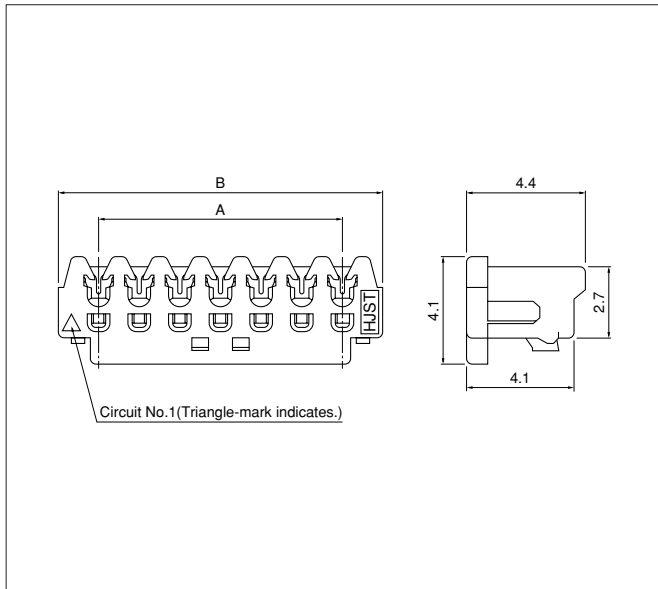


D, E dimensions: Refer to TZ connector (Until for wire-to-wire connection).

D, E dimensions: Refer to TZ connector (Dual-row until for wire-to-wire connection).

# CZ FAMILY SERIES / CZ · CZW · CZH · CZHW · TZ · TZW

## CZ connector receptacle



| Circuits | Model No.      |                | Dimensions (mm) |      | Q'ty / box |
|----------|----------------|----------------|-----------------|------|------------|
|          | Gray           | Yellow         | A               | B    |            |
| 2        | <b>02CZ-6H</b> | <b>02CZ-6Y</b> | 1.5             | 4.5  | 2,000      |
| 3        | <b>03CZ-6H</b> | <b>03CZ-6Y</b> | 3.0             | 6.0  | 2,000      |
| 4        | <b>04CZ-6H</b> | <b>04CZ-6Y</b> | 4.5             | 7.5  | 2,000      |
| 5        | <b>05CZ-6H</b> | <b>05CZ-6Y</b> | 6.0             | 9.0  | 2,000      |
| 6        | <b>06CZ-6H</b> | <b>06CZ-6Y</b> | 7.5             | 10.5 | 2,000      |
| 7        | <b>07CZ-6H</b> | <b>07CZ-6Y</b> | 9.0             | 12.0 | 2,000      |
| 8        | <b>08CZ-6H</b> | <b>08CZ-6Y</b> | 10.5            | 13.5 | 2,000      |
| 9        | <b>09CZ-6H</b> | <b>09CZ-6Y</b> | 12.0            | 15.0 | 1,000      |
| 10       | <b>10CZ-6H</b> | <b>10CZ-6Y</b> | 13.5            | 16.5 | 1,000      |
| 11       | <b>11CZ-6H</b> | <b>11CZ-6Y</b> | 15.0            | 18.0 | 1,000      |
| 12       | <b>12CZ-6H</b> | <b>12CZ-6Y</b> | 16.5            | 19.5 | 1,000      |
| 13       | <b>13CZ-6H</b> | <b>13CZ-6Y</b> | 18.0            | 21.0 | 1,000      |
| 14       | <b>14CZ-6H</b> | <b>14CZ-6Y</b> | 19.5            | 22.5 | 1,000      |
| 15       | <b>15CZ-6H</b> | <b>15CZ-6Y</b> | 21.0            | 24.0 | 1,000      |
| 16       | <b>16CZ-6H</b> | <b>16CZ-6Y</b> | 22.5            | 25.5 | 1,000      |
| 17       | <b>17CZ-6H</b> | <b>17CZ-6Y</b> | 24.0            | 27.0 | 1,000      |
| 18       | <b>18CZ-6H</b> | <b>18CZ-6Y</b> | 25.5            | 28.5 | 1,000      |
| 19       | <b>19CZ-6H</b> | <b>19CZ-6Y</b> | 27.0            | 30.0 | 1,000      |
| 20       | <b>20CZ-6H</b> | <b>20CZ-6Y</b> | 28.5            | 31.5 | 1,000      |

### Material and Finish

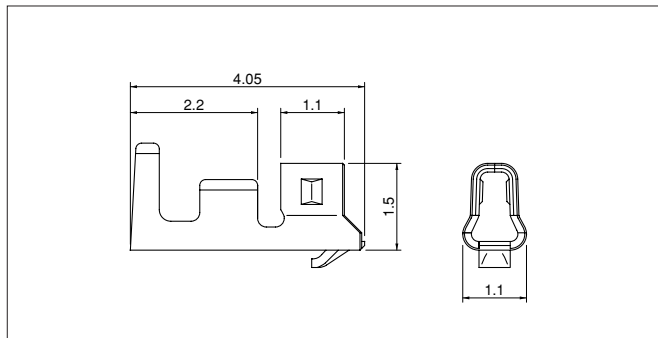
Contact: Phosphor bronze, tin-plated (reflow treatment)  
Housing: Glass-filled PA 66, UL94V-0

### RoHS compliance

<For reference> As the color identification, the following alphabet shall be put in the underlined part.  
For availability, delivery and minimum order quantity, contact JST.

ex. **02CZ-6H**  
Y...yellow H...natural (grayish color)

## CZH connector contact



| Model No.             | Applicable wire |       | Insulation O.D. (mm) | Q'ty / reel |
|-----------------------|-----------------|-------|----------------------|-------------|
|                       | mm <sup>2</sup> | AWG # |                      |             |
| <b>SCZH-002T-P0.5</b> | 0.08~0.13       | 28~26 | 0.8~1.1              | 13,000      |

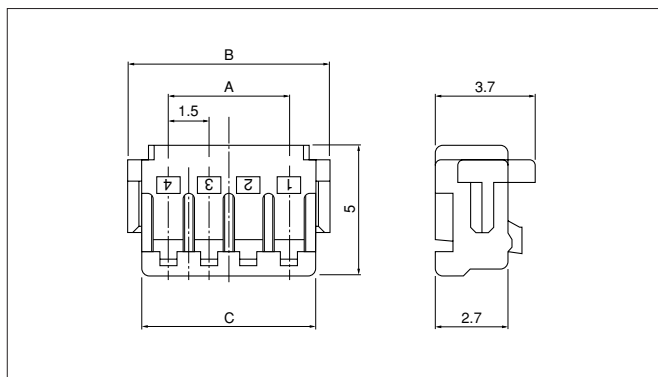
### Material and Finish

Phosphor bronze, tin-plated (reflow treatment)

### RoHS compliance

| Contact               | Crimping machine | Applicator       |                |                            |
|-----------------------|------------------|------------------|----------------|----------------------------|
|                       |                  | Crimp applicator | Dies           | Crimp applicator with dies |
| <b>SCZH-002T-P0.5</b> | AP-K2N           | MKS-L            | MK/SCZH-002-05 | APLMK SCZH002-05           |

## CZH connector housing



| Circuits | Model No.         | Dimensions (mm) |      |      | Q'ty / box |
|----------|-------------------|-----------------|------|------|------------|
|          |                   | A               | B    | C    |            |
| 2        | <b>CZHR-02V-S</b> | 1.5             | 4.5  | 3.5  | 1,000      |
| 3        | <b>CZHR-03V-S</b> | 3.0             | 6.0  | 5.0  | 1,000      |
| 4        | <b>CZHR-04V-S</b> | 4.5             | 7.5  | 6.5  | 1,000      |
| 5        | <b>CZHR-05V-S</b> | 6.0             | 9.0  | 8.0  | 1,000      |
| 6        | <b>CZHR-06V-S</b> | 7.5             | 10.5 | 9.5  | 1,000      |
| 7        | <b>CZHR-07V-S</b> | 9.0             | 12.0 | 11.0 | 1,000      |
| 8        | <b>CZHR-08V-S</b> | 10.5            | 13.5 | 12.5 | 1,000      |
| 9        | <b>CZHR-09V-S</b> | 12.0            | 15.0 | 14.0 | 1,000      |
| 10       | <b>CZHR-10V-S</b> | 13.5            | 16.5 | 15.5 | 1,000      |
| 11       | <b>CZHR-11V-S</b> | 15.0            | 18.0 | 17.0 | 1,000      |
| 12       | <b>CZHR-12V-S</b> | 16.5            | 19.5 | 18.5 | 1,000      |
| 13       | <b>CZHR-13V-S</b> | 18.0            | 21.0 | 20.0 | 1,000      |
| 14       | <b>CZHR-14V-S</b> | 19.5            | 22.5 | 21.5 | 1,000      |
| 15       | <b>CZHR-15V-S</b> | 21.0            | 24.0 | 23.0 | 1,000      |
| 16       | <b>CZHR-16V-S</b> | 22.5            | 25.5 | 24.5 | 1,000      |
| 17       | <b>CZHR-17V-S</b> | 24.0            | 27.0 | 26.0 | 1,000      |
| 19       | <b>CZHR-19V-S</b> | 27.0            | 30.0 | 29.0 | 1,000      |
| 20       | <b>CZHR-20V-S</b> | 28.5            | 31.5 | 30.5 | 1,000      |

### Material

PBT, UL94V-0, natural (white)

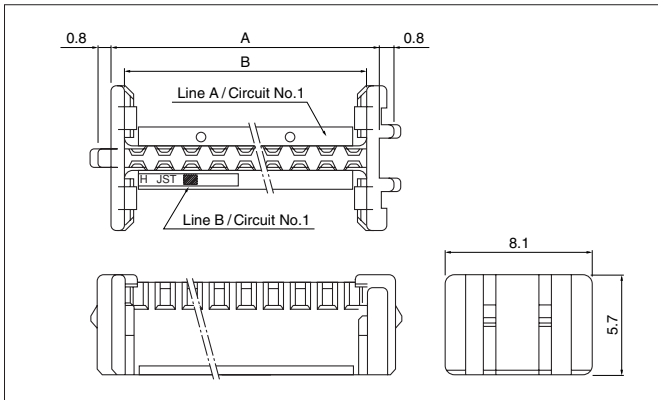
### RoHS compliance

<For reference> As the color identification, the following alphabet shall be put in the underlined part.  
For availability, delivery and minimum order quantity, contact JST.

ex. **CZHR-02V-S**  
S...natural (white)  
K...black H...gray Y...yellow

# CZ FAMILY SERIES / CZ · CZW · CZH · CZHW · TZ · TZW

## CZW connector holder

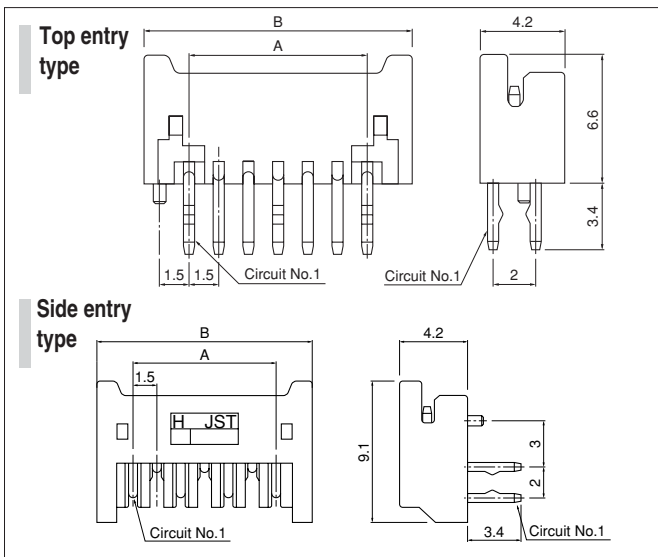


| Circuits | Model No.        | Dimensions (mm) |      | Q'ty / box |
|----------|------------------|-----------------|------|------------|
|          |                  | A               | B    |            |
| 16       | <b>CZWH-16-S</b> | 14.9            | 13.5 | 1,000      |
| 18       | <b>CZWH-18-S</b> | 16.4            | 15.0 | 1,000      |
| 20       | <b>CZWH-20-S</b> | 17.9            | 16.5 | 1,000      |
| 22       | <b>CZWH-22-S</b> | 19.4            | 18.0 | 1,000      |
| 24       | <b>CZWH-24-S</b> | 20.9            | 19.5 | 1,000      |
| 26       | <b>CZWH-26-S</b> | 22.4            | 21.0 | 1,000      |
| 28       | <b>CZWH-28-S</b> | 23.9            | 22.5 | 1,000      |
| 30       | <b>CZWH-30-S</b> | 25.4            | 24.0 | 1,000      |
| 32       | <b>CZWH-32-S</b> | 26.9            | 25.5 | 1,000      |
| 34       | <b>CZWH-34-S</b> | 28.4            | 27.0 | 1,000      |
| 36       | <b>CZWH-36-S</b> | 29.9            | 28.5 | 1,000      |
| 38       | <b>CZWH-38-S</b> | 31.4            | 30.0 | 1,000      |
| 40       | <b>CZWH-40-S</b> | 32.9            | 31.5 | 1,000      |

Material  
PBT, UL94V-0, natural (white)

RoHS compliance

## CZ connector through-hole type shrouded header



| Circuits | Model No.            |                      | Dimensions (mm) |      | Q'ty / box     |                 |
|----------|----------------------|----------------------|-----------------|------|----------------|-----------------|
|          | Top entry type       | Side entry type      | A               | B    | Top entry type | Side entry type |
| 2        | <b>B02B-CZHK-B-1</b> | <b>S02B-CZHK-B-1</b> | 1.5             | 6.0  | 2,072          | 1,480           |
| 3        | <b>B03B-CZHK-B-1</b> | <b>S03B-CZHK-B-1</b> | 3.0             | 7.5  | 1,624          | 1,160           |
| 4        | <b>B04B-CZHK-B-1</b> | <b>S04B-CZHK-B-1</b> | 4.5             | 9.0  | 1,344          | 960             |
| 5        | <b>B05B-CZHK-B-1</b> | <b>S05B-CZHK-B-1</b> | 6.0             | 10.5 | 1,176          | 840             |
| 6        | <b>B06B-CZHK-B-1</b> | <b>S06B-CZHK-B-1</b> | 7.5             | 12.0 | 1,008          | 720             |
| 7        | <b>B07B-CZHK-B-1</b> | <b>S07B-CZHK-B-1</b> | 9.0             | 13.5 | 896            | 640             |
| 8        | <b>B08B-CZHK-B-1</b> | <b>S08B-CZHK-B-1</b> | 10.5            | 15.0 | 784            | 560             |
| 9        | <b>B09B-CZHK-B-1</b> | <b>S09B-CZHK-B-1</b> | 12.0            | 16.5 | 728            | 520             |
| 10       | <b>B10B-CZHK-B-1</b> | <b>S10B-CZHK-B-1</b> | 13.5            | 18.0 | 672            | 480             |
| 11       | <b>B11B-CZHK-B-1</b> | <b>S11B-CZHK-B-1</b> | 15.0            | 19.5 | 616            | 440             |
| 12       | <b>B12B-CZHK-B-1</b> | <b>S12B-CZHK-B-1</b> | 16.5            | 21.0 | 560            | 400             |
| 13       | <b>B13B-CZHK-B-1</b> | <b>S13B-CZHK-B-1</b> | 18.0            | 22.5 | 504            | 360             |
| 14       | <b>B14B-CZHK-B-1</b> | <b>S14B-CZHK-B-1</b> | 19.5            | 24.0 | 504            | 360             |
| 15       | <b>B15B-CZHK-B-1</b> | <b>S15B-CZHK-B-1</b> | 21.0            | 25.5 | 448            | 320             |
| 16       | <b>B16B-CZHK-B-1</b> | <b>S16B-CZHK-B-1</b> | 22.5            | 27.0 | 448            | 320             |
| 17       | <b>B17B-CZHK-B-1</b> | <b>S17B-CZHK-B-1</b> | 24.0            | 28.5 | 392            | 280             |
| 18       | <b>B18B-CZHK-B-1</b> | <b>S18B-CZHK-B-1</b> | 25.5            | 30.0 | 392            | 280             |
| 19       | <b>B19B-CZHK-B-1</b> | <b>S19B-CZHK-B-1</b> | 27.0            | 31.5 | 392            | 280             |
| 20       | <b>B20B-CZHK-B-1</b> | <b>S20B-CZHK-B-1</b> | 28.5            | 33.0 | 336            | 240             |

Material and Finish

Pin: Copper alloy, copper-undercoated, tin-plated (reflow treatment)

Wafer: Glass-filled PA 66, UL94V-0, natural (grayish color)

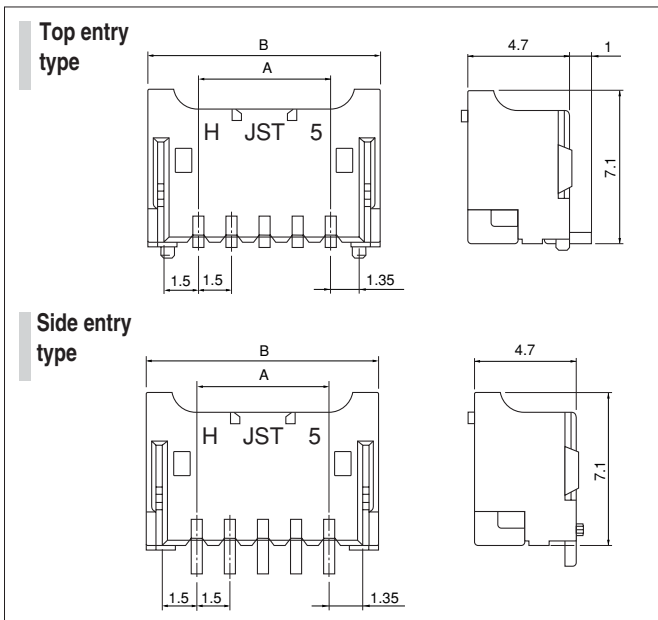
Note: Models B( )B-CZHK-B are the headers without the boss.

Note: Models S( )B-CZHK-B are the headers without the boss.

RoHS compliance This product displays (LF)(SN) on a label.

<For reference> As the color identification, the following alphabet shall be put in the underlined part. For availability, delivery and minimum order quantity, contact JST.  
ex. **B02B-CZHK-B-1** H...natural (grayish color) Y...yellow K...black

## CZ connector SMT type shrouded header



| Circuits | Model No.              |                        | Dimensions (mm) |      | Q'ty / box     |                 |
|----------|------------------------|------------------------|-----------------|------|----------------|-----------------|
|          | Top entry type         | Side entry type        | A               | B    | Top entry type | Side entry type |
| 2        | <b>BM02B-CZSS-1-TF</b> | <b>SM02B-CZSS-1-TB</b> | 1.5             | 6.0  | 800            | 1,250           |
| 4        | <b>BM04B-CZSS-1-TF</b> | <b>SM04B-CZSS-1-TB</b> | 4.5             | 9.0  | 800            | 1,250           |
| 5        | <b>BM05B-CZSS-1-TF</b> | <b>SM05B-CZSS-1-TB</b> | 6.0             | 10.5 | 800            | 1,250           |
| 6        | <b>BM06B-CZSS-1-TF</b> | —                      | 7.5             | 12.0 | 800            | —               |
| 8        | <b>BM08B-CZSS-1-TF</b> | —                      | 10.5            | 15.0 | 800            | —               |
| 10       | <b>BM10B-CZSS-1-TF</b> | <b>SM10B-CZSS-1-TB</b> | 13.5            | 18.0 | 800            | 1,250           |
| 13       | <b>BM13B-CZSS-1-TF</b> | <b>SM13B-CZSS-1-TB</b> | 18.0            | 22.5 | 800            | 1,250           |
| 14       | <b>BM14B-CZSS-1-TF</b> | —                      | 19.5            | 24.0 | 800            | —               |
| 15       | <b>BM15B-CZSS-1-TF</b> | —                      | 21.0            | 25.5 | 800            | —               |
| 16       | <b>BM16B-CZSS-1-TF</b> | <b>SM16B-CZSS-1-TB</b> | 22.5            | 27.0 | 800            | 1,250           |
| 17       | <b>BM17B-CZSS-1-TF</b> | —                      | 24.0            | 28.5 | 800            | —               |
| 20       | <b>BM20B-CZSS-1-TF</b> | —                      | 28.5            | 33.0 | 800            | —               |

Material and Finish

Pin: Copper alloy, copper-undercoated, tin-plated (reflow treatment)

Wafer: PA, UL94V-0, natural (ivory)

Solder tab: Copper alloy, copper-undercoated, tin-plated (reflow treatment)

Note: Models BM( )B-CZSS-TF are the headers without the boss.

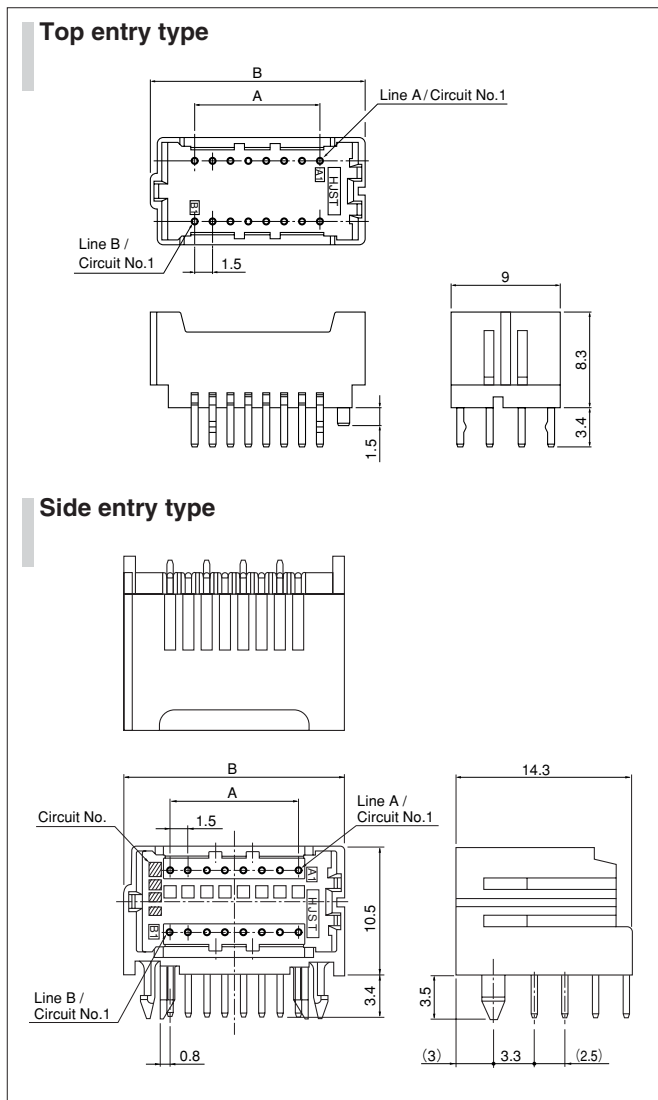
Note: Models SM( )B-CZSS-TF are the headers without the boss.

RoHS compliance This product displays (LF)(SN) on a label.

<For reference> As the color identification, the following alphabet shall be put in the underlined part. For availability, delivery and minimum order quantity, contact JST.  
ex. **B02B-CZSS-1-TF** S...natural (ivory) H...gray

# CZ FAMILY SERIES / CZ · CZW · CZH · CZHW · TZ · TZW

## CZW connector through-hole type shrouded header



| Circuits | Model No.                        |                                  | Dimensions (mm) |      | Q'ty / box     |                 |
|----------|----------------------------------|----------------------------------|-----------------|------|----------------|-----------------|
|          | Top entry type                   | Side entry type                  | A               | B    | Top entry type | Side entry type |
| 16       | <b>B16B-CZW<del>H</del>K-B-1</b> | —                                | 10.5            | 18.0 | 420            | —               |
| 18       | <b>B18B-CZW<del>H</del>K-B-1</b> | —                                | 12.0            | 19.5 | 385            | —               |
| 20       | <b>B20B-CZW<del>H</del>K-B-1</b> | <b>S20B-CZW<del>H</del>S-B-1</b> | 13.5            | 21.0 | 350            | 280             |
| 22       | <b>B22B-CZW<del>H</del>K-B-1</b> | —                                | 15.0            | 22.5 | 315            | —               |
| 24       | <b>B24B-CZW<del>H</del>K-B-1</b> | —                                | 16.5            | 24.0 | 315            | —               |
| 26       | <b>B26B-CZW<del>H</del>K-B-1</b> | <b>S26B-CZW<del>H</del>S-B-1</b> | 18.0            | 25.5 | 280            | 224             |
| 28       | <b>B28B-CZW<del>H</del>K-B-1</b> | —                                | 19.5            | 27.0 | 280            | —               |
| 30       | <b>B30B-CZW<del>H</del>K-B-1</b> | —                                | 21.0            | 28.5 | 245            | —               |
| 32       | <b>B32B-CZW<del>H</del>K-B-1</b> | —                                | 22.5            | 30.0 | 245            | —               |
| 34       | <b>B34B-CZW<del>H</del>K-B-1</b> | —                                | 24.0            | 31.5 | 245            | —               |
| 36       | <b>B36B-CZW<del>H</del>K-B-1</b> | —                                | 25.5            | 33.0 | 210            | —               |
| 38       | <b>B38B-CZW<del>H</del>K-B-1</b> | —                                | 27.0            | 34.5 | 210            | —               |
| 40       | <b>B40B-CZW<del>H</del>K-B-1</b> | <b>S40B-CZW<del>H</del>S-B-1</b> | 28.5            | 36.0 | 210            | 168             |

### Material and Finish

Pin: Copper alloy, copper-undercoated, tin-plated (reflow treatment)

Wafer: Glass-filled PA 66, UL94V-0, natural (grayish color)

Note: Models B( )B-CZW~~H~~K-B are the headers without the boss.

**RoHS compliance** This product displays (LF)(SN) on a label.

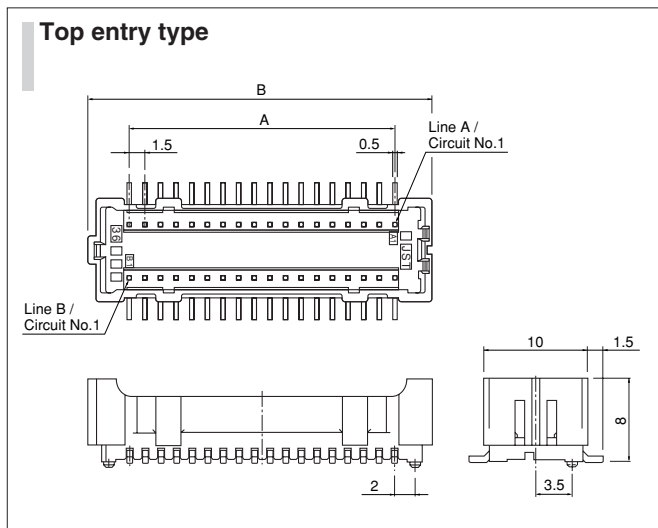
<For reference> As the color identification, the following alphabet shall be put in the underlined part. For availability, delivery and minimum order quantity, contact JST.

ex. **B16B-CZW~~H~~K-B-1**

H...natural (grayish color)

Y...yellow

## CZW connector SMT type shrouded header



| Circuits | Model No.                           | Dimensions (mm) |      | Q'ty / box |
|----------|-------------------------------------|-----------------|------|------------|
|          |                                     | A               | B    |            |
| 36       | <b>BM36B-CZW<del>S</del>SS-1-TF</b> | 25.5            | 33.0 | 300        |
| 40       | <b>BM40B-CZW<del>S</del>SS-1-TF</b> | 28.5            | 36.0 | 300        |

### Material and Finish

Press pin: Copper alloy, copper-undercoated, tin-plated (reflow treatment)

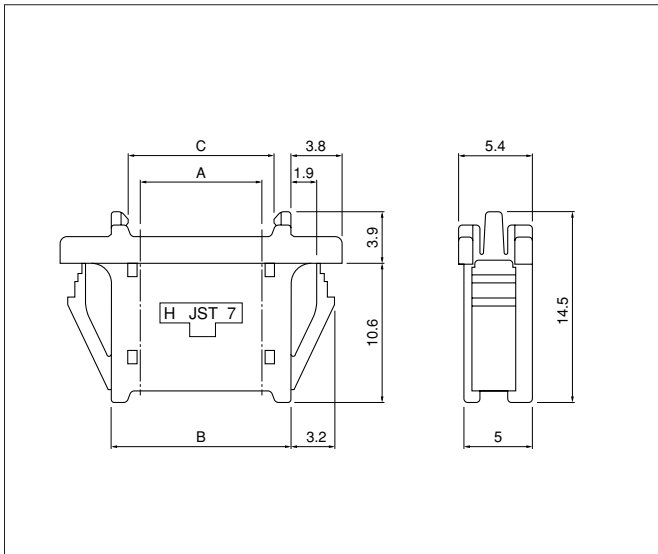
Wafer: PA, UL94V-0, natural (ivory)

Note: Models BM( )B-CZW~~S~~SS-TF are the headers without the boss.

**RoHS compliance** This product displays (LF)(SN) on a label.

# CZ FAMILY SERIES / CZ · CZW · CZH · CZHW · TZ · TZW

## TZ connector (Unit for wire-to-wire connection)



| Circuits | Model No.  | Dimensions (mm) |      |      |      |      | Qty / box |
|----------|------------|-----------------|------|------|------|------|-----------|
|          |            | A               | B    | C    | D    | E    |           |
| 2        | BU02P-TZ-S | 1.5             | 5.9  | 3.5  | 6.3  | 9.9  | 500       |
| 3        | BU03P-TZ-S | 3.0             | 7.4  | 5.0  | 7.8  | 11.4 | 500       |
| 4        | BU04P-TZ-S | 4.5             | 8.9  | 6.5  | 9.3  | 12.9 | 500       |
| 5        | BU05P-TZ-S | 6.0             | 10.4 | 8.0  | 10.8 | 14.4 | 500       |
| 6        | BU06P-TZ-S | 7.5             | 11.9 | 9.5  | 12.3 | 15.9 | 250       |
| 7        | BU07P-TZ-S | 9.0             | 13.4 | 11.0 | 13.8 | 17.4 | 250       |
| 8        | BU08P-TZ-S | 10.5            | 14.9 | 12.5 | 15.3 | 18.9 | 250       |
| 9        | BU09P-TZ-S | 12.0            | 16.4 | 14.0 | 16.8 | 20.4 | 250       |
| 10       | BU10P-TZ-S | 13.5            | 17.9 | 15.5 | 18.3 | 21.9 | 250       |
| 11       | BU11P-TZ-S | 15.0            | 19.4 | 17.0 | 19.8 | 23.4 | 250       |
| 12       | BU12P-TZ-S | 16.5            | 20.9 | 18.5 | 21.3 | 24.9 | 250       |
| 13       | BU13P-TZ-S | 18.0            | 22.4 | 20.0 | 22.8 | 26.4 | 250       |
| 14       | BU14P-TZ-S | 19.5            | 23.9 | 21.5 | 24.3 | 27.9 | 250       |
| 15       | BU15P-TZ-S | 21.0            | 25.4 | 23.0 | 25.8 | 29.4 | 250       |
| 16       | BU16P-TZ-S | 22.5            | 26.9 | 24.5 | 27.3 | 30.9 | 250       |
| 17       | BU17P-TZ-S | 24.0            | 28.4 | 26.0 | 28.8 | 32.4 | 250       |
| 18       | BU18P-TZ-S | 25.5            | 29.9 | 27.5 | 30.3 | 33.9 | 150       |
| 19       | BU19P-TZ-S | 27.0            | 31.4 | 29.0 | 31.8 | 35.4 | 150       |
| 20       | BU20P-TZ-S | 28.5            | 32.9 | 30.5 | 33.3 | 36.9 | 100       |

### Material and Finish

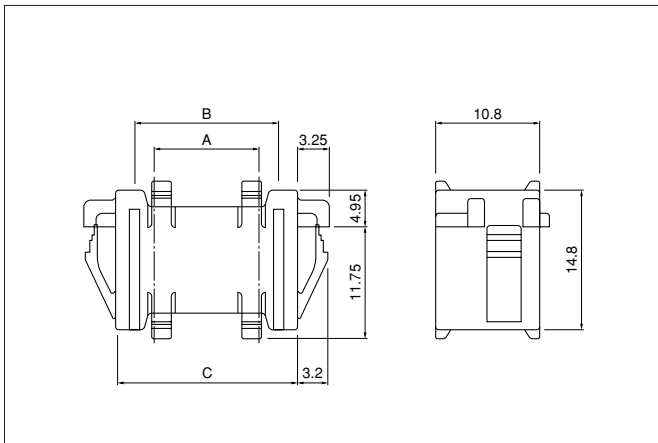
Pin: Copper alloy, copper-undercoated, tin-plated (reflow treatment)

Housing: PA 66, UL94V-0, natural (white)

**RoHS compliance** This product displays (LF)(SN) on a label.

Note: D and E dimensions; Refer to the panel layout of TZ connector (P2).

## TZW connector (Dual-row unit for wire-to-wire connection)



| Circuits | Model No.   | Dimensions (mm) |      |      |      |      | Qty / box |
|----------|-------------|-----------------|------|------|------|------|-----------|
|          |             | A               | B    | C    | D    | E    |           |
| 16       | BU16P-TZW-S | 10.5            | 15.0 | 19.0 | 19.4 | 23.0 | 160       |
| 18       | BU18P-TZW-S | 12.0            | 16.5 | 20.5 | 20.9 | 24.5 | 140       |
| 20       | BU20P-TZW-S | 13.5            | 18.0 | 22.0 | 22.4 | 26.0 | 140       |
| 22       | BU22P-TZW-S | 15.0            | 19.5 | 23.5 | 23.9 | 27.5 | 140       |
| 24       | BU24P-TZW-S | 16.5            | 21.0 | 25.0 | 25.4 | 29.0 | 120       |
| 26       | BU26P-TZW-S | 18.0            | 22.5 | 26.5 | 26.9 | 30.5 | 120       |
| 28       | BU28P-TZW-S | 19.5            | 24.0 | 28.0 | 28.4 | 32.0 | 120       |
| 30       | BU30P-TZW-S | 21.0            | 25.5 | 29.5 | 29.9 | 33.5 | 100       |
| 32       | BU32P-TZW-S | 22.5            | 27.0 | 31.0 | 31.4 | 35.0 | 100       |
| 34       | BU34P-TZW-S | 24.0            | 28.5 | 32.5 | 32.9 | 36.5 | 100       |
| 36       | BU36P-TZW-S | 25.5            | 30.0 | 34.0 | 34.4 | 38.0 | 100       |
| 38       | BU38P-TZW-S | 27.0            | 31.5 | 35.5 | 35.9 | 39.5 | 100       |
| 40       | BU40P-TZW-S | 28.5            | 33.0 | 37.0 | 37.4 | 41.0 | 80        |

### Material and Finish

Pin: Copper alloy, copper-undercoated, tin-plated (reflow treatment)

Housing: PA 66, UL94V-0, natural (white)

**RoHS compliance** This product displays (LF)(SN) on a label.

Note: D and E dimensions; Refer to the panel layout of TZW connector (P2).